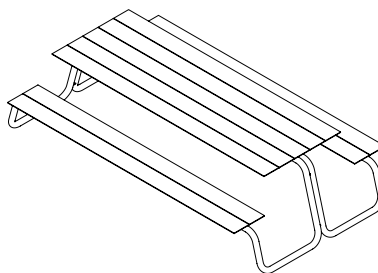




ASSEMBLY INSTRUCTIONS




WÜNDER®



THE TABLE

Sleek, slender, steady. The Table seats 8 to 12 people for a cosy heart-to-heart in style. The elegant tubular structure gives it a soft touch. A piece of furniture you'll enjoy for many years to come.

REQUIRED

- 2 people
- The Table mounting aid set
- A pair of scissors
- Hex key 5 mm 
- Electric screwdriver PZ2 bit 
- Nut wrench 13 mm 

The assembly is identical for all different sizes of The Table.

IN THE PACKAGE

- Assembly instructions - 1 piece
- Seat - 2 pieces
- Table top - 1 piece
- Table leg - 2 pieces
- Box with connectors and accessories

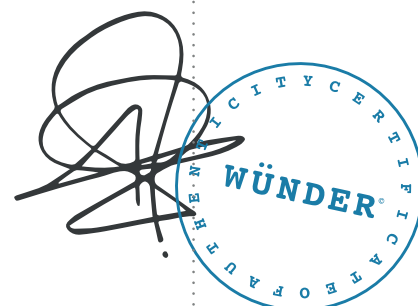
OPTIONAL TOOLS

- Sandpaper P120 for wood finishing

GET IN TOUCH

Questions, comments or suggestions regarding our products or our website? Feel free to get in touch with us!

Wünder - Ovenhoek 5, 8800 Roeselare, Belgium
+32 51 79 17 31 - info@wunder.be





Stainless steel screws

5 x 25 mm

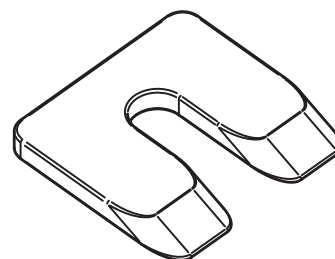
100 pieces



Stainless steel bolts

M8 x 20 mm

25 pieces



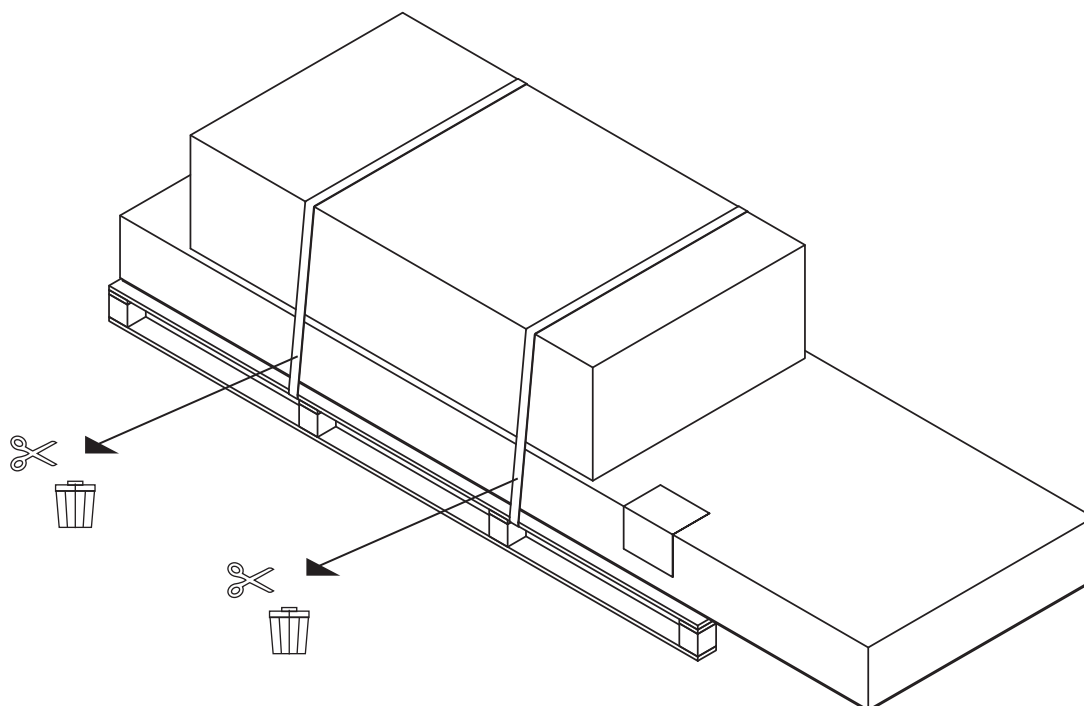
Plastic spacers

5 mm

4 pieces

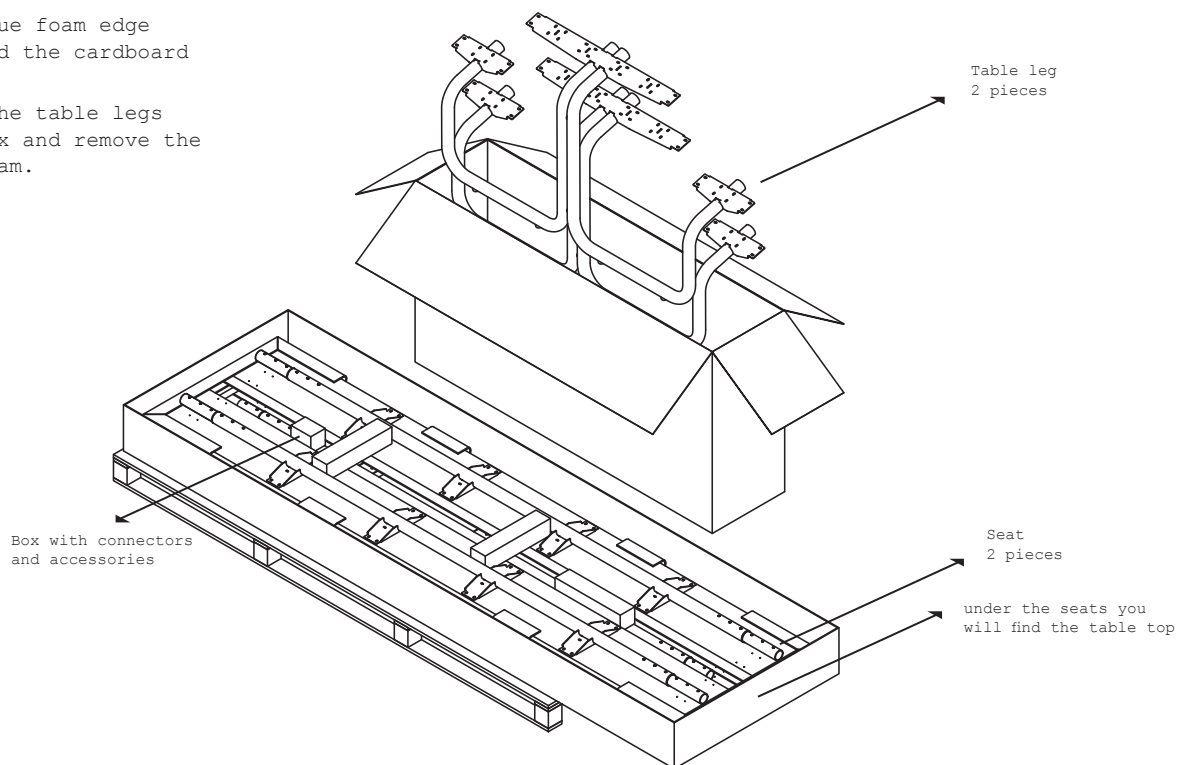
01

- Remove the protective pieces.
- Use scissors to cut the strapping loose.
- Check the content of the box with the quantities listed above.



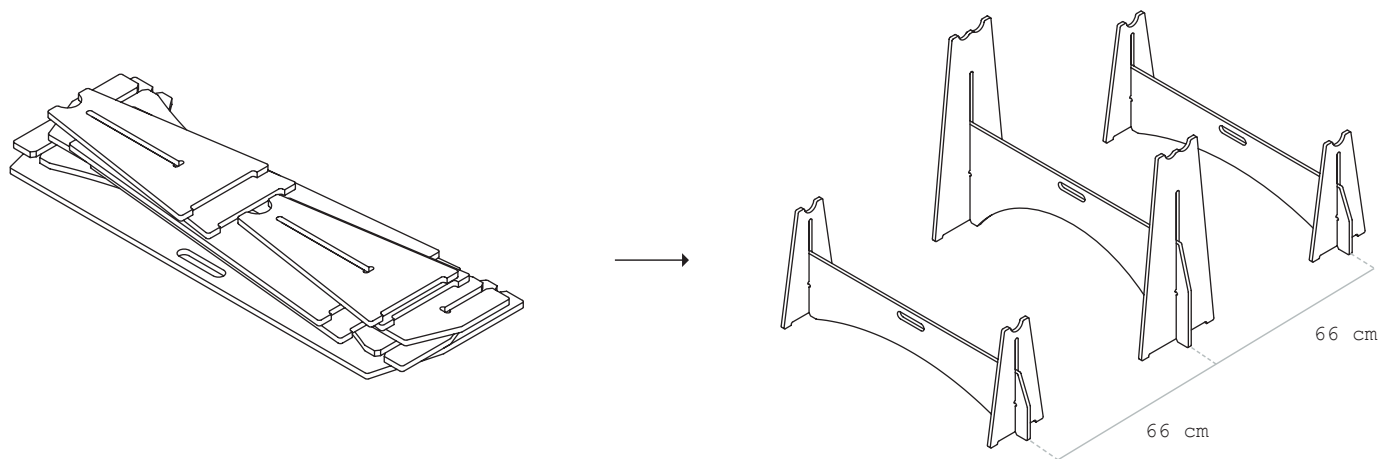
02

- Remove the blue foam edge protection and the cardboard buffers.
- Gently take the table legs out of the box and remove the protective foam.



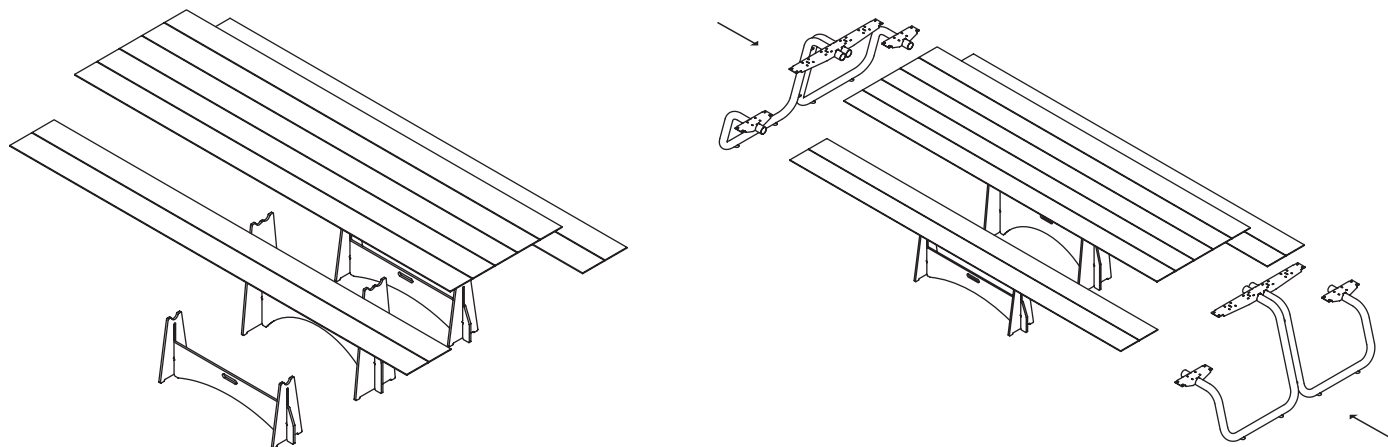
03

- Assemble the mounting aid set as shown.
- Place the 3 parts 66 cm apart.

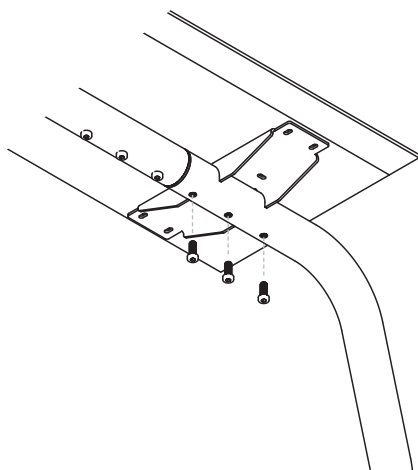


04

- Align the table top and seats to the table legs.
- Slide the legs one by one onto the seats and the table top.

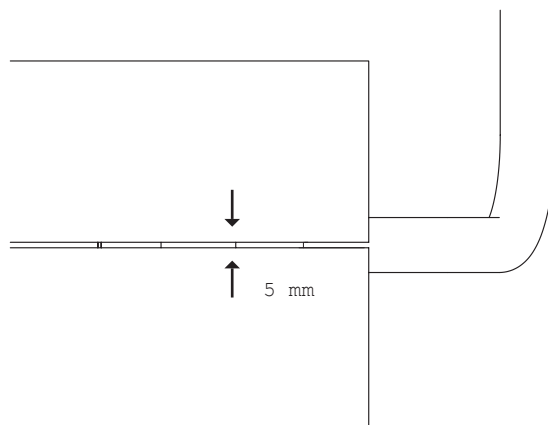
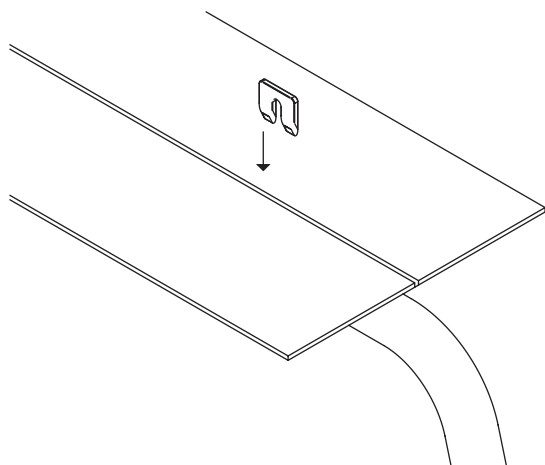
**05**

- Screw down the M8 bolts. Only tighten the bolts down when all of them are inserted.

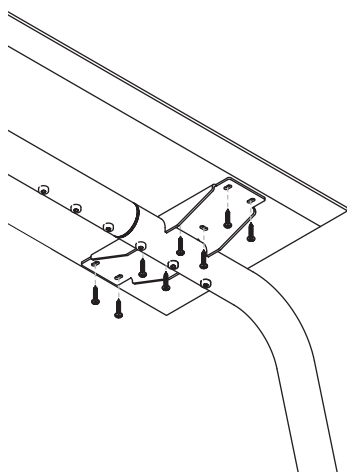
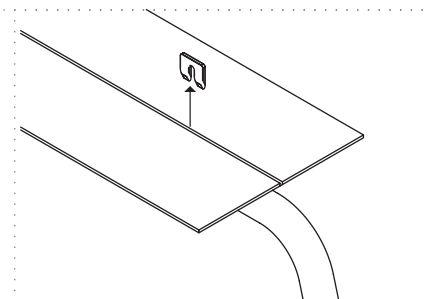


06

- Place the red spacers between the planks to ensure that 5 mm spacing is maintained.

**07**

- Screw the wood onto the brackets of the chassis. Pre-drilled holes of $\varnothing 3$ mm have been provided for this purpose.
- Remove the red spacers.



08

- Remove the mounting aid kit.
- Place The Table at the desired location.
- Unscrew the levelling feet as far as possible so they just touch the ground.
- Enjoy The Table to the fullest!

